





STRENGTH
LEVEL



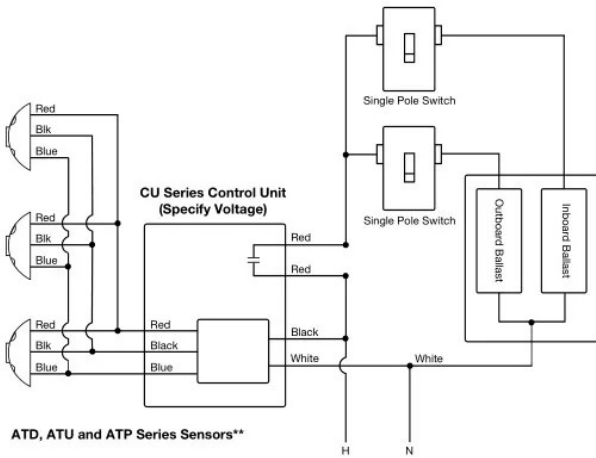


Energy Efficiency Solutions

Adaptive Technology Dual, Ultrasonic, and Passive Infrared Ceiling and Wall Mount Sensors ATD, ATU and ATP Series

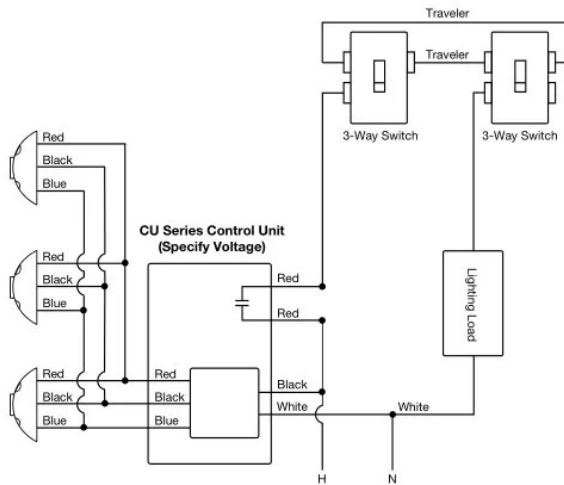
Single Circuit, Dual Level Switching Application:

1 to 4 sensors wired to control unit with optional override off switches.



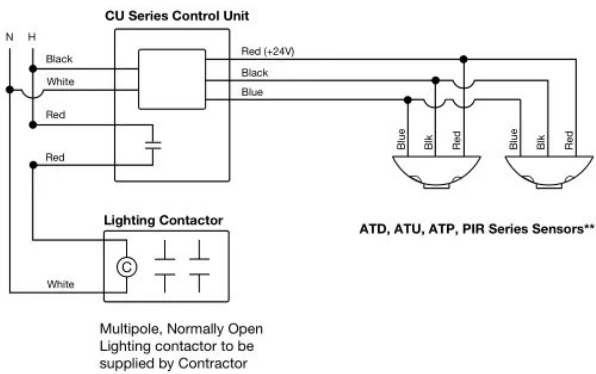
Single Circuit, 3-Way Switching Application:

1 to 4 sensors wired to control unit with optional override off switches.



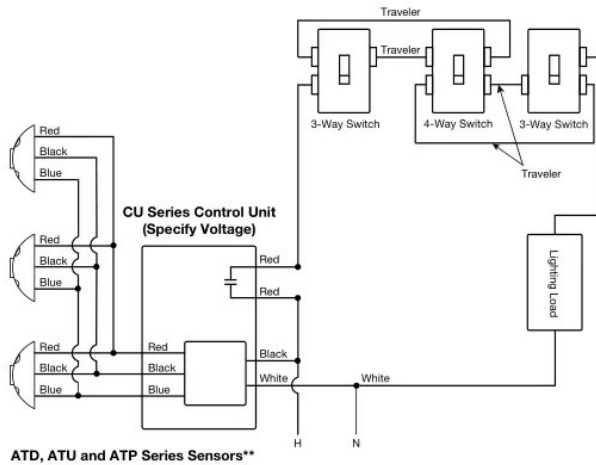
Multi-Circuit Application:

1 to 4 sensors wired to control unit that is wired to a multi-pole lighting contactor.



Single Circuit, 4-Way Switching Application:

1 to 4 sensors wired to control unit with optional override off switches.



Note: **For wiring sensors with isolated relay and photocell option (models with "RP" suffix): Photocell Option: Cap off Blue sensor wire. Connect Gray sensor wire to Blue control unit wire. Isolated Relay Option: Common-Blue/White wire, Normally Closed-Black/White wire, Normally Open-Yellow/White wire.